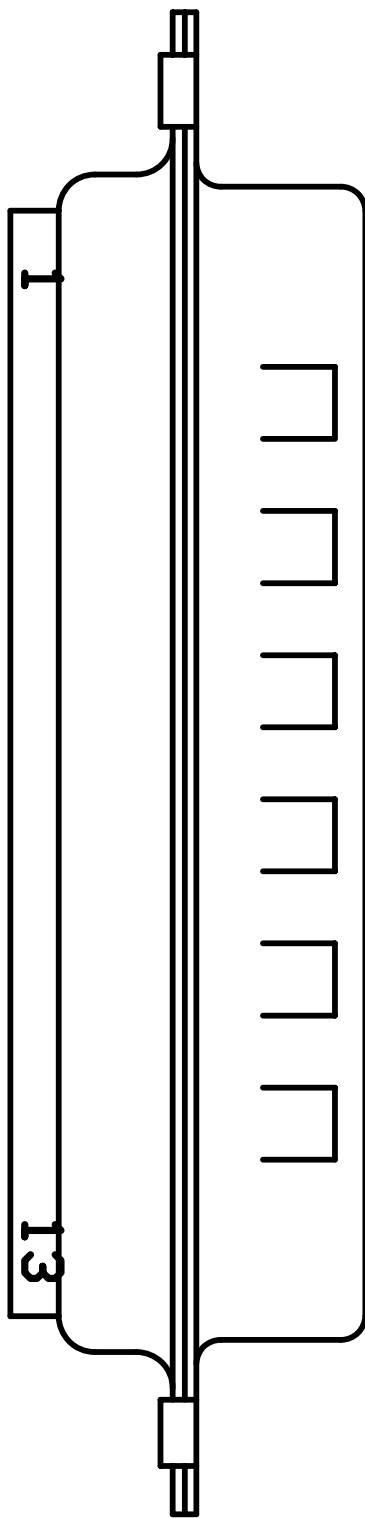
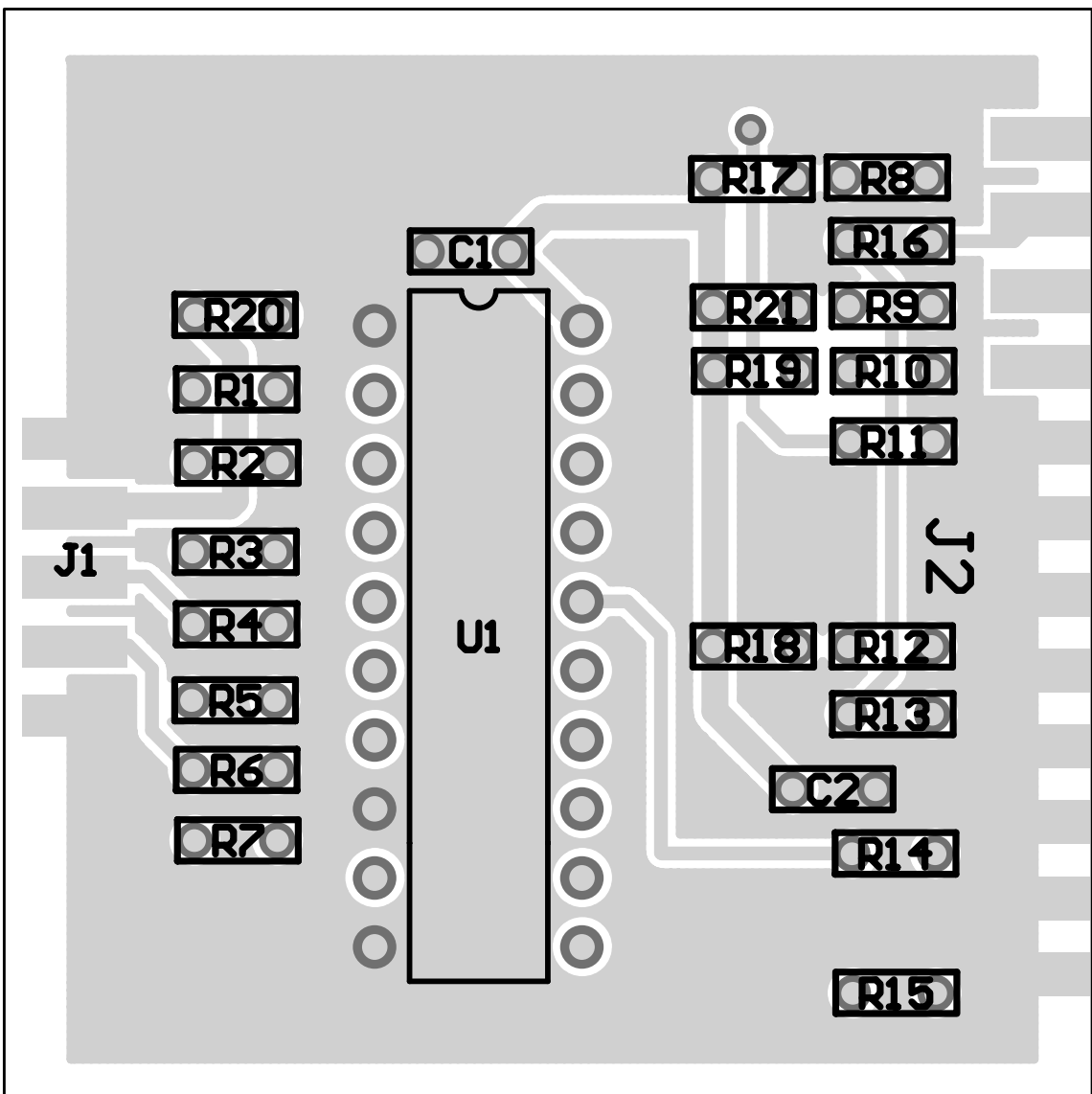


Title		
Size	Number	Revision
B		
Date:	22-Nov-2005	Sheet of
File:	C:\D:\Protel\Endgultige_Projekte\Byteblast\1\Delta25.dcb	



Designator	Part Type	Footprint	Description
C1	100n	RES-UP	Capacitor
C2	100n	RES-UP	Capacitor
J1	DELTA10	DELTA10	10-pol. Pfostenleiste
J2	DELTA25	DELTA25	DB-25-Stecker
R1	100R	RES-UP	Widerstand
R10	100R	RES-UP	Widerstand
R11	100R	RES-UP	Widerstand
R12	100R	RES-UP	Widerstand
R13	2K2	RES-UP	Widerstand
R14	100R	RES-UP	Widerstand
R15	100R	RES-UP	Widerstand
R16	100R	RES-UP	Widerstand
R17	2k2	RES-UP	Widerstand
R18	2K2	RES-UP	Widerstand
R19	2K2	RES-UP	Widerstand
R2	100R	RES-UP	Widerstand
R20	2K2	RES-UP	Widerstand
R21	2K2	RES-UP	Widerstand
R3	100R	RES-UP	Widerstand
R4	100R	RES-UP	Widerstand
R5	100R	RES-UP	Widerstand
R6	100R	RES-UP	Widerstand
R7	100R	RES-UP	Widerstand
R8	100R	RES-UP	Widerstand
R9	100R	RES-UP	Widerstand
U1	74HC241	DIP-20	74HC241